

RPZF3

socket RPZ - mixed contact - 16 A - < 250 V -
screw clamp - for relay RXM3..



Main

Range of product	Zelio Relay
Product or component type	Socket
Contact terminal arrangement	Mixed
Product compatibility	Plug-in relay RPM (3 C/O)
Shape of pin	Flat
Device short name	RPZ
Sale per indivisible quantity	10

Complementary

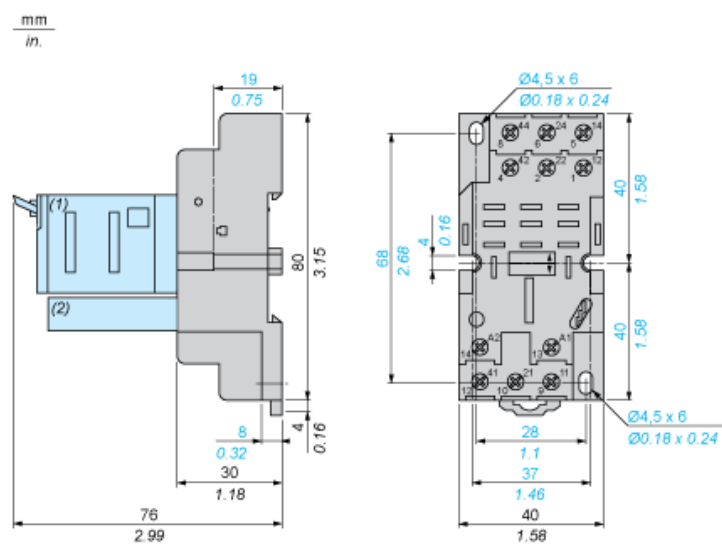
[I _{th}] conventional free air thermal current	16 A
[U _e] rated operational voltage	< 250 V
Tightening torque	<= 1 N.m (M3.5 screw(s))
Fixing mode	Clip-on mounting on 35 mm symmetrical DIN rail By screw mounting on panel
Marking	CE
Width	40 mm
Product weight	0.072 kg

Environment

Connections - terminals	- screw clamp terminals, solid cable without cable end 1 x 0.5...2 x 1.5 mm ² / AWG 20...AWG 16 - screw clamp terminals, flexible cable with cable end 1 x 0.25...2 x 1 mm ² / AWG 22...AWG 17
Standards	IEC 61984
Product certifications	CSA UL
Ambient air temperature for storage	-40...85 °C
Ambient air temperature for operation	-40...55 °C
IP degree of protection	IP20 conforming to EN/IEC 60529
Dielectric strength	2500 V

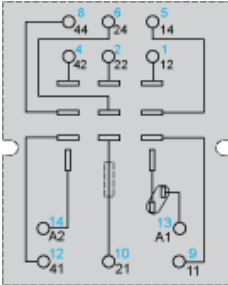
The information provided in this documentation contains general descriptions and/or technical characteristics of the performance of the products contained herein. This documentation is not intended as a substitute for and is not to be used for determining suitability or reliability of these products for specific user applications. It is the duty of any such user or integrator to perform the appropriate and complete risk analysis, evaluation and testing of the products with respect to the relevant specific application or use thereof. Neither Schneider Electric Industries SAS nor any of its affiliates or subsidiaries shall be responsible or liable for misuse of the information contained herein.

Dimensions



- (1) Relays
- (2) Protection module
- (3) Maintaining clamp

Wiring Diagram



Symbols shown in blue correspond to Nema marking.